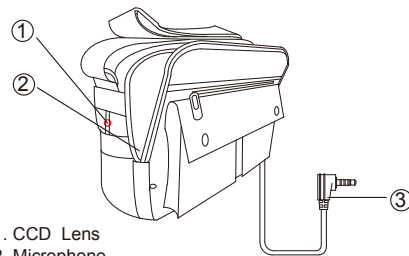


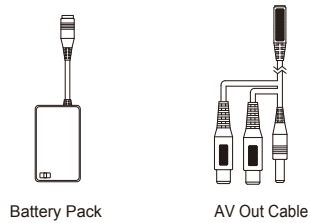
### 1. Name and Parts



- 1. CCD Lens
- 2. Microphone
- 3. AV Jack

\* No microphones are available for USA market.

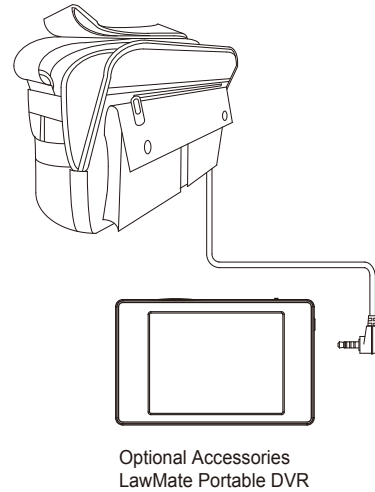
### 2. Package Content



1

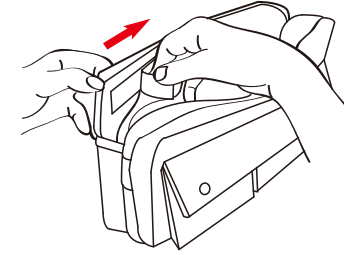
### 3. Connect Handbag Cover Camera to a DVR

1. Open the handbag and take the AV jack out.
2. Plug the AV jack into CAM IN port of the DVR.



2

3. Carefully open the velcro hidden pocket by following red arrow pointed direction.
4. Place the portable DVR underneath the hidden layer and close it.

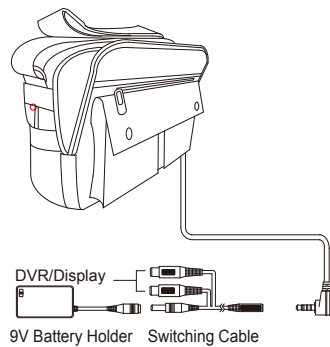


3

### 4. Connection with AV Out cable

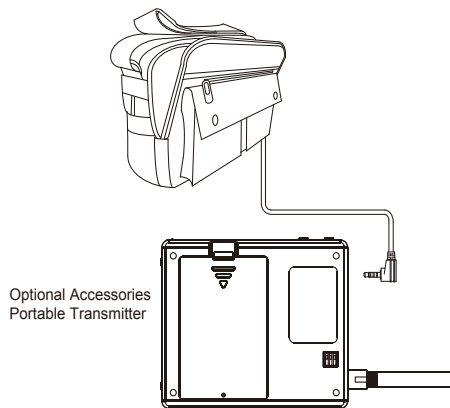
If you do not use LawMate portable DVR and would like to connect HB-19 to your own DVR or display device, you could use AV Out cable to make the connection.

1. Install the device as illustration shown below.
2. Connect yellow and red cables to your DVR or display.
3. Connect 9V power-cord to your power supply.  
\*If you do not have the power supply, you can use our battery holder to supply the power. Slide the back cover of battery holder to open the battery tray. Insert a PP3 (9V) battery into battery tray. Switch to ON position.
4. Captured images are automatically shown on the connected DVR or display.



4

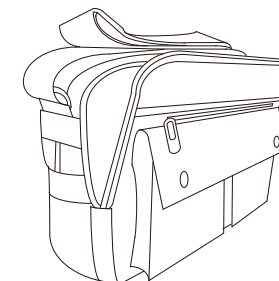
### 5. Connection with Wireless Equipment



1. Camera can also be connected with RF wireless equipment.
2. Connect AV jack to portable transmitter.
3. Connect DVR or any recording device with portable receiver.
4. Set transmitter and receiver at the same frequency or channel.
5. Turn on receiver's power.
6. Captured images will be shown on receiver side.
7. Note that receiver should be connected with external LCD / TV in order to display captured images.

5

## HB-19 Handbag Design Camera Quick Guide



LawMate, innovation never stops

**LawMate**<sup>®</sup>

V1.0